

Introducing the . . .

NEW!

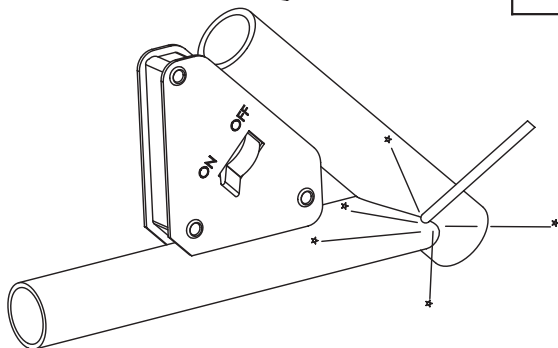
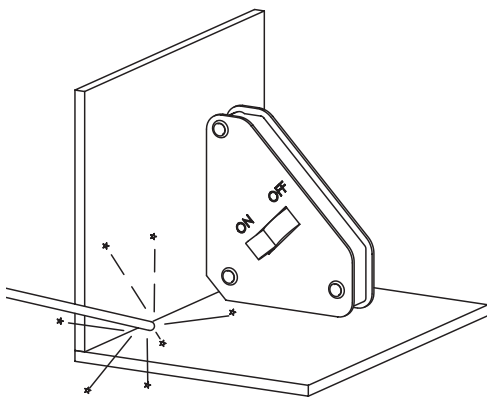


Adjust-O Magnet

The *only* magnet with an ON/OFF Switch!



The NEW Adjust-O Magnets with the revolutionary ON/OFF switch! This ONE-OF-A-KIND product allows you to turn the magnetism ON and OFF for safe, easy use in any fast, simple set-up. The magnets hold work firmly at 45° and 90°. Applications: Welding, Fabrication, machine shops, contractors, jig & fixture set-ups.



Part No.	Description	Specifications	Pull Force	Weight	List Price
MSA45	45° x 90°	4-3/8" x 3-3/4" x 1"	30 lbs.	1 lb.	\$19.95
MSA46-HD Heavy Duty	45° x 90°	4-3/8" x 3-3/4" x 1.5"	65 lbs.	1.5 lbs.	\$24.90
MSA47	45° x 90°	6" x 5-1/8" x 1-1/4"	58 lbs.	2.1 lbs.	\$24.00
MSA48-HD Heavy Duty	45° x 90°	6" x 5-1/8" x 1-1/4"	130 lbs.	3.1 lbs.	\$29.90

Easy to position, use *and* clean!

Distributed by:

VALTRA
Web: www.valtrainc.com